

GSM Antenna

Ct-GSM06



Specifications Sheet V0.2

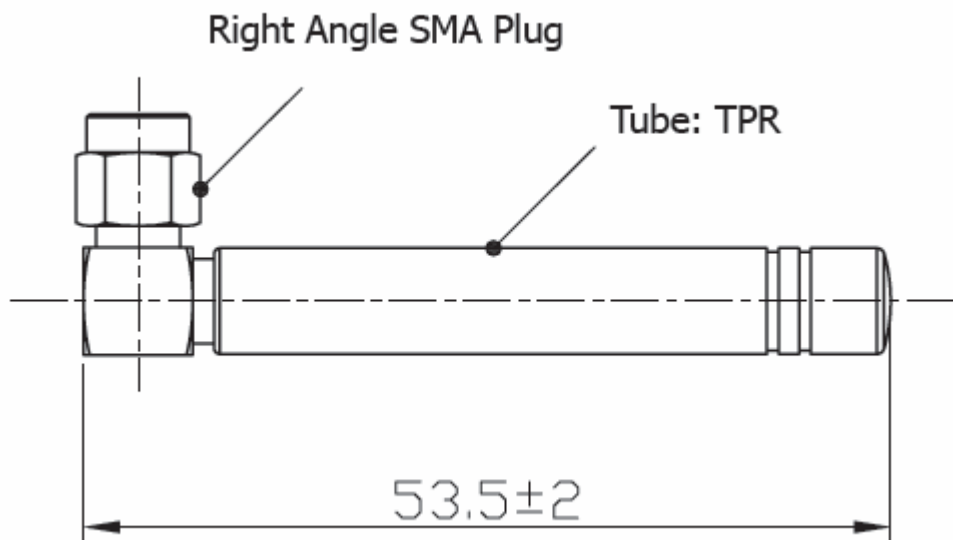
GSM Quad Band Antenna with Right Angle SMA

Electronics

Frequency Range	800/900/1800/1900MHz
Impedance	50Ω
VSWR	2.0 Max
Gain	2.0 dBi
Electronics Wave	1/2λ, Dipole
Radiation	Omni
Polarization	Vertical

Mechanical

Antenna Tube	TPR
Tube Color	Black
Operating Temperature	-20°C~+60°C
Storage Temperature	-30°C~+75°C
Connector Type	Right Angle SMA Plug
Connector Plating	Gold

Structure


Test report

